

WELCOME TO MADEIRA 2003

6th International Bridge Festival

Madeira

Funchal, November 17-23, 2003

17th November 2003

Welcome Back!

Here we are again... For the 6th year running with our tournament in mid November... For those who are coming back you know what to expect: good weather, nice tours, good food and to top it all off a week of bridge on a fairly strong field. For those who come for the first time you will find all that plus an island full of natural beauty and unbelievable sights.

I'm sure all of you will be wearing your swimming suits before the week ends, profiting from the excellent swimming pools and sea accesses. Yes, we pulled some strings to get you good weather for the whole week. And even if it rains you can always head to the card-room a little earlier.

Unfortunately this year some

of the top players are unable to come due to the proximity of the Bermuda Bowl in Monaco that just ended. By the way, here's our sympathy to our friends in the Italian team - winners and third place holders of the teams event last year - who lost the World title to the Americans by a nose (just 1 imp after 128 hands!).

But to all our other bridge friends - both new and old - we say: Welcome! Enjoy your week! Enjoy you bridge! Enjoy your stay! Don't be a stranger: talk to us, tell us what you need and we will try to help you in what we can. We are all working hard so that when you leave you will only be thinking of how you will be coming back next year and, with your help, we will make this week once again a memorable one.

Have a good game all!

ENTRY FEE		
MONDAY WARM-UP	PAIRS	TEAMS
7,50 € / Player	75 € / Player	200 € / Team (up to 6 players)

Your week at Madeira

Nuno Sardinha da Mata

Welcome to all of you and accompanying guests and kibitzers to the 6th International Madeira Bridge Open. This year's programme has been, as always, designed to give all that are here for the first time a fair view of what Madeira has to offer as a tourist destination and to those who come here for the second third and even sixth time an opportunity to remember and live it again.

The welcome cocktail on **Monday** at 18h30 will give you the chance to review old friends and meet new ones.

Monday the Simultaneous Pairs is hosted by tournament directors **Rui Marques** and **José Júlio Curado** and intends to be a warm up and will put in competition various clubs at different locations all over Portugal.

Tuesday The real competition begins at 16:00 so... be prepared.

Wednesday Golfers will have time to enjoy one of Portugal best and hardest courses, Santo da Serra (please contact your Hotel desk to make all necessary arrangements). And just because you don't play golf do not stay out of this journey, not only the trip to the course will present you with nice views of the Island as you can once there make your walk promenade and enjoy some of the more astonishing landscape views of Madeira Island. Please be careful with your cries of surprise

and joy as golfers are even stricter with silence than bridge players. You can even have lunch at the golf restaurant: it's quite nice and pleasant.

Wednesday evening at the typical dinner you will be able to try traditional dishes from Madeira, see and hear traditional folk songs and music from Madeira and even if you are in the mood learn to dance with the folk dancers.

Thursday morning you will be able to shine on the golf course after that late night folklore practice.

Friday morning take your time to enjoy the sightseeing tour while trying to forget the mistakes made on the earlier days at the open pairs tournament, you'll have time to correct them at the teams tournament that follow. First stop of the tour will be the Botanical gardens where you can appreciate the exquisite and sometimes unique flora of Madeira. Monte will be the second stop to sight walk around, a beautiful church and various gardens and views can be seen there. From there return to the Hotel on the bus where the ride ends, or to those who want to try it, they can end the tour staying at Monte and taking the Cable car down, a magnificent experience that will end at the antique part of the city. There are lot of excellent restaurants that

6th International Bridge Festival MADEIRA

await you, where you can choose to have lunch before returning to the Hotel by your own means (taxis and buses can be found there).

Saturday has another golf morning. Don't forget to ask your Hotel desk to make prior arrangements.

Sunday evening is time for good-bye (or rather "Até à vista", Portuguese for "see you next time") but you still have time to the closing dinner at Restaurante Bahia (Casino da Madeira) where you can see and, if you were lucky, participate at the prize giving. The dinner will close with a high quality and very entertaining show.

Needless to say that during all these days you can try your luck at the Casino slot machines or even the Casino classic games room, they await you, ready to offer you an amusing time.

During all these days don't hesitate to contact the organization crew they are here to help and try to provide you with pleasant stay.

After all this you can stay a few more days if you're able to skip work or begin to plan your come back.

Hope you enjoy the programme and **"Até à Vista"**.

"... On a good day."

	<i>Duboin</i>	
	♠ 10 4 3	
	♥ Q 6	
	♦ K Q 7 6	
	♣ K Q 7 2	
<i>Soloway</i>		<i>Hamman</i>
♠ 8 7 2	VUL. None	♠ K Q J 5
♥ K J 3	DEAL. N	♥ 9 8 7 5
♦ 10 5 3 2	LEAD ♠ 7	♦ A 9
♣ J 10 8		♣ 6 5 4
	<i>Bocchi</i>	
	♠ A 9 6	
	♥ A 10 4 2	
	♦ J 8 4	
	♣ A 9 3	

Here's a hand from one of last year's Madeira Bridge Open Teams Event winners - Norberto Bochi. He played it last week during the finals of the Bermuda Bowl, playing for Italy against the USA. (The deal has been rotated for convenience since Bochi played it in the North seat.)

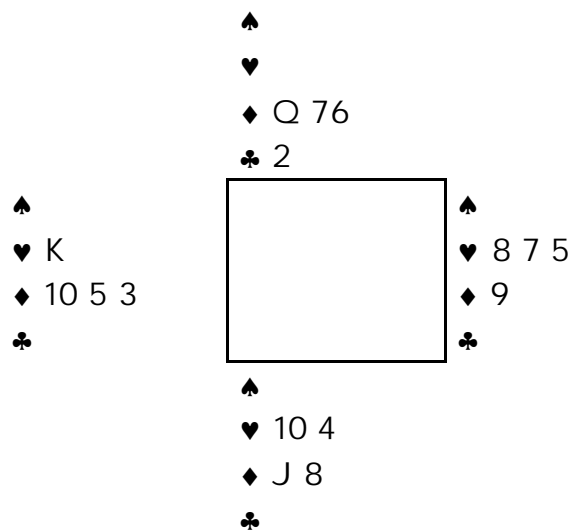
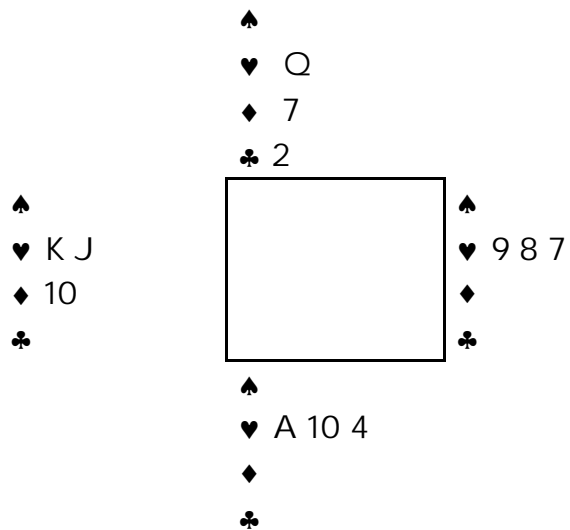
The contract is 3 NT and the lead is a small ♠, declarer holding up the Ace until the third round. Next came a diamond to the King and Ace. When Hamman took his spade trick everyone pitched a heart. Unwilling to help declarer's possible guess in

6th International Bridge Festival MADEIRA

hearts the American led a club taken by dummy's king. Bochi now had time to test the diamonds, which he found 4-2. Turning his attention to clubs he reached this end position:

On the fourth club Soloway found he was squeezed and threw the ♥J hoping to find partner with the ♥Q. But Bochi had no way to go wrong now and took the last two tricks with the heart Ace and ten.

You might be wondering what would have happened had Hamman continued with a Heart instead of a club... Well, it wouldn't break the squeeze, but only if Bochi guessed correctly which one of the minors would behave. If he did this would be the end position:



Now on the ♣2 West is again squeeze, the ♦J providing the entrance for the ten of hearts. But if he played on diamonds first (playing for the diamonds to behave and the squeeze to work between the ♥K and the fourth club) there would be no entry to dummy when the last club was played.

Someone once asked Bob Hamman if he knew anyone that played better bridge than him.

After considering it a while he answered "Maybe God... On a good day". Well, maybe God would have found the heart return... on a good day.

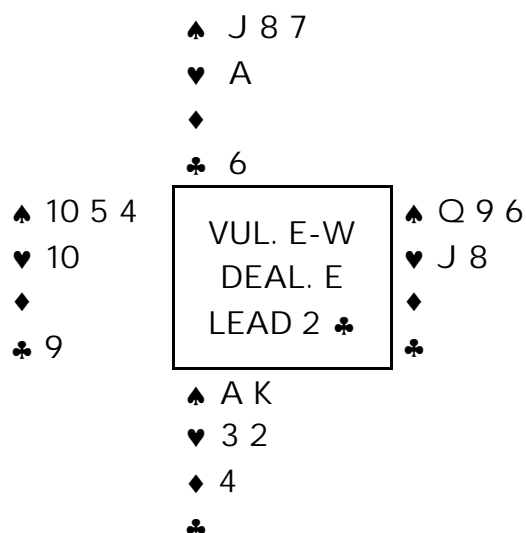
An Absolute Top...

Playing last Thursday in a Simultaneous tournament just like the one we will be playing tonight (the same hands played in various clubs around Portugal having a common classification) this amusing hand came up.

Sitting South, playing Matchpoints, you are declarer in No Trumps with a small club lead – plan your play...

This is how it came out at my table:

East took the first trick with the ♣Q after a small club from dummy and returned the ♥Q. I took the trick with the ♥K and started on clubs. It went ♣10, ♣K, ♣A, ♣4, followed by the ♣J on which E discarded a small diamond. Encouraged by that discard I proceeded to the diamond suit that, as expected, broke nicely. On the third diamond I discarded spade from dummy and E discarded a heart. On the fourth W discarded a spade, I discarded a heart from dummy baring the ace and E had again to let go of a heart, leaving this end position:



Now the ♦4 strikes the final blow: W parted with a spade, dummy gets rid of that now useless club and E finds that he is inexorably squeezed in the majors. At the table he decided to let go of a spade, so A and K of spades were followed with a small heart to dummy's ace, the ♠J taking the last trick. Had he decided to let go of a heart, a small heart followed with a spade would leave the ♥3 to take the last trick. A nice "criss-cross" squeeze!! And that was that, a nice Top for...

E/W!!! Yes, I neglected to mention that due to a "slight" misbid the contract at our table was 2 NT so 240 didn't earn us a single Matchpoint!... Ah, well... you can't win them all.

THE ORGANIZERS



Miguel Teixeira

...is an Economist and works in one of Portugal's major Banks (owned by one of Spain's major bank's). He is also Club Sports Madeira Bridge section manager and the President of ABM (Madeira Bridge Association).

Rodrigo Martins Soares
...is a Mechanical Engineer and is the manager of a shipyard on the east side of the island. He is also Vice President of ABM.



Ricardo Fernandes

Nuno Sardinha da Mata
He is a Lawyer and has his own practice in Funchal. He is also Chairman of ABM.

...works full-time at the ABM. He teaches bridge both at schools and to grown-ups at the clubs.



The Editors



Carla Martins Soares
She has a college degree in Pharmacy
and works in Public Health.

Pedro Nunes

...is a Communications Engineer and
works in a private phone operator. He is
also a Vice Chairman of ABM.



Our Tournaments Directors

Rui Marques



José Júlio Curado



Programme 2003

Monday	18.00	Welcome Desk opening	Centro de Congressos da Madeira
	18.30 21.00	Welcome Cocktail Simultaneous Pairs www.lusobridge.com	" "
Tuesday	15.00	Pairs Tournament Entries confirmations	Welcome Desk (Centro Congressos)
	15.45 16.00	Closing time for Pairs Tournament Entries OPEN PAIRS TOURNAMENT	" 1st Session (Centro Congressos Madeira)
Wednesday	9.00	Golf at Santo da Serra Golf Club	Shuttle leaves from the Carlton Park Hotel
	16.00 20.00	OPEN PAIRS TOURNAMENT Typical dinner & Folklore	2nd Session (Centro Congressos Madeira)
Thursday	9.00	Golf at Santo da Serra Golf Club	Shuttle leaves from the Carlton Park Hotel
	16.00 20.00	OPEN PAIRS TOURNAMENT Final Results	3rd Session (Centro Congressos Madeira) Centro de Congressos da Madeira
Friday	11.30	Sightseeing tour	Welcome Desk (Centro Congressos)
	20.45 21.15	Closing time for Teams Tournament Entries SWISS OPEN TEAMS TOURNAMENT	1st Session (Centro Congressos Madeira)
Saturday	9.00	Golf at Santo da Serra Golf Club	Shuttle leaves from the Carlton Park Hotel
	15.30 21.30	SWISS OPEN TEAMS TOURNAMENT SWISS OPEN TEAMS TOURNAMENT	2nd Session (Centro Congressos Madeira) 3rd Session (Centro Congressos Madeira)
Sunday	15.00 20.00	SWISS OPEN TEAMS TOURNAMENT Final Results	4th Session (Centro Congressos Madeira) Centro Congressos da Madeira
	20.30	Closing Dinner and Prize giving	Carlton Park Hotel dining room

If you have a well-played hand or a fun story at the table, don't be shy!
Share it with us...